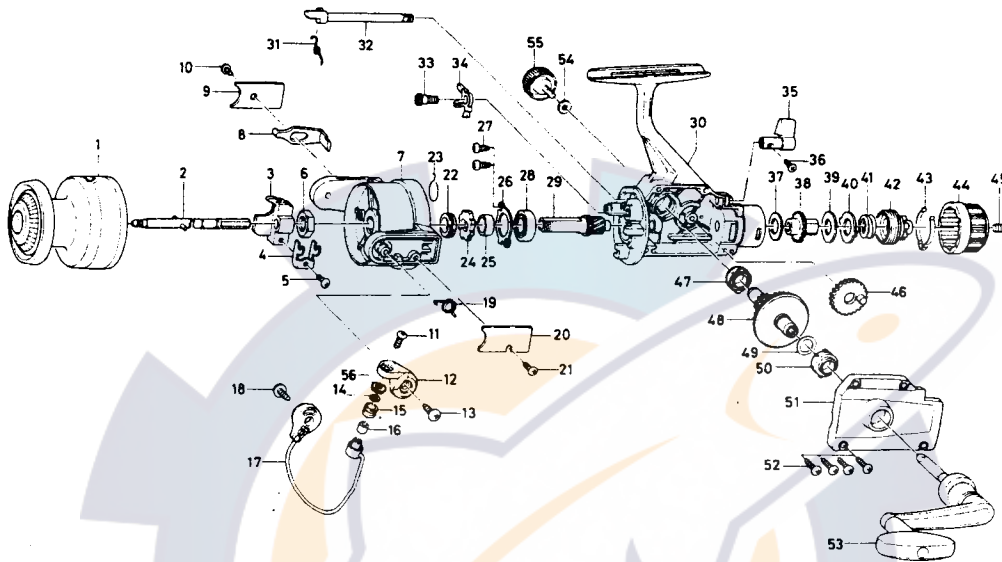


SPINNING REEL GS1650/2050



Key No.	Parts No.	Parts Name	Price Each	Key No.	Parts No.	Parts Name	Price Each
1	E00-4401	Spool	8.00	34	B74-5501	Anti-reverse pawl	0.75
2	B83-9801	Main shaft	1.75	35	B63-8101	Anti-reverse lever	1.50
3	B64-0102	Oscillating slider	0.75	36	B12-8201	Anti-reverse lever screw	0.50
4	B49-2501	Oscillating slider retainer	0.50	37	B46-9504	Drag washer A	0.40
5	351-1804	Oscillating slider screw	0.35	38	B76-9803	Click gear	0.35
6	340-8301	Rotor nut	0.50	39	373-3710	Drag washer B	0.60
7	B82-2002	Rotor	7.20	40	B83-9501	Eared washer	0.40
8	B83-6701	Bail trip lever	0.75	41	B98-2901	Drag coil spring	0.60
9	B76-9703	Bail trip cover	0.35	42	B77-0004	Drag screw	0.90
10	B83-4402	Bail trip cover screw	0.35	43	B77-0301	Drag washer spring	0.40
11	B67-9302	Line roller screw	0.35	44	B83-9601	Drag knob	1.45
12	B68-1102	Bail arm	0.70	45	352-1105	Drag knob spring screw	0.70
13	B84-2102	Bail arm screw	0.40	46	B74-3701	Oscillating gear	0.55
14	B55-4301	Line roller washer A	0.35	47	B84-3901	Bushing	0.40
15	250-3921	Line roller	0.80	48	B83-6801	Drive gear	1.65
16	B45-1501	Line roller bushing	0.40	49	373-7800	Drive gear washer	0.35
17	B84-0003	Bail	3.20	50	B84-3901	Bushing	0.40
18	B84-2102	Bail trip cam screw	0.40	51	E00-2403	Side cover	6.00
19	B18-7702	Bail spring	0.45	52	B83-5002	Side cover screw	0.40
20	B77-2202	Bail spring cover	0.40	53	E00-2501	Handle	5.50
21	B83-4402	Bail spring cover screw	0.35	54	B92-4901	Handle lock washer	0.40
22	501-9901	Spring holder	1.15	55	E00-1801	Handle lock screw	0.50
23	145-0901	Anti-reverse pawl spring	0.50	56	B97-9801	Line roller washer B	0.40
24	280-9001	Anti-reverse ratchet	1.05	GS2050 Special Parts			
25	B83-6201	Spacing sleeve	0.40	1	E00-4501	Spool	8.00
26	B35-6301	Bearing retainer	0.55	7	B82-2202	Rotor	7.20
27	B83-4402	Bearing retainer screw	0.35	8	B83-7301	Bail trip lever	0.75
28	636-6011	Ball bearing	5.20	17	B84-0401	Bail	3.45
29	B83-6101	Pinion gear	3.50	30	E00-2304	Body	13.65
30	E00-2303	Body	13.65	51	E00-2404	Side cover	6.00
31	144-0321	Anti-reverse cam spring	0.50	53	E00-2801	Handle	5.50
32	B83-6001	Anti-reverse cam	1.05				
33	B83-6301	Anti-reverse pawl screw	0.50				